

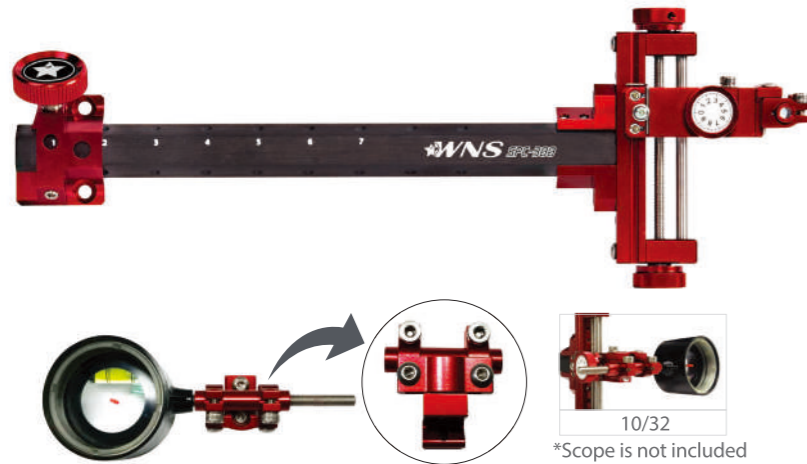


WIN&WIN

ACCESSORIES

Quality Products For all
by WIN&WIN

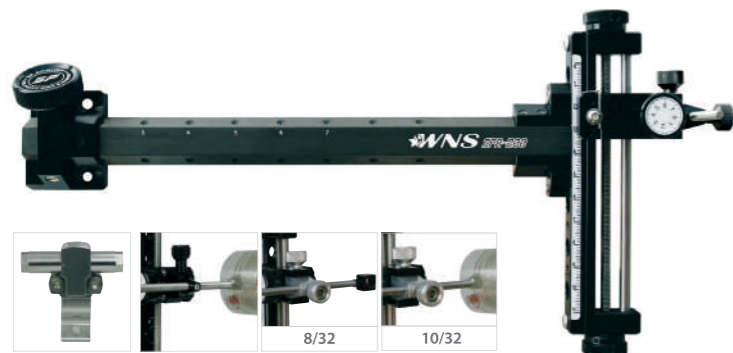
Well-Engineered WNS SIGHT



SPC-300 SIGHT

SPC-300 SIGHT is developed for compound bows with all the advantages of SPR-200 SIGHT. Carbon extender, micrometer height and lateral adjustments, simple and clean fixation for scope pins.

SPC-300 is available in 4 colors, for left and right-handers and includes 1 eyelet support (10/32).



SPR-200 SIGHT

SCP-200 Carbon fully inherits the benefits of the SRC-100 development. Carbon extender, micrometer height and lateral adjustments make this sight one of the greatest references!

SPR-200 is available in 4 colors, for left and right-handers, and includes 2 eyelet supports (8 and 10/32).



Specific compound scope holder (Sold separately)



SPR-100 SIGHT

The SRC-100 Sight represents the new generation of WNS sights. Several months of development, including shooting machine tests resulted in the creation of this sight. It features a great ease of use, micrometer adjustments and an enhanced endurance. The double carbon/foam layer extender minimizes both weight and torque while shooting. The double guidance of the head (threaded rod/bar) enables a perfectly fluid movement.

SPR-100 is available in 4 colors, for left and right-handers and includes 2 eyelet supports (8 and 10/32).



SJA-50 SIGHT (LONG)

Aluminum extension and sight head created with durability and best quality in mind.

Available in right and left handed.



SJA-40 SIGHT (SHORT)

Junior version of the SJA-50 sight. Extension shortened and lightened head, this sight is the ideal model to make yourself familiar with a competition sight.

Available in right and left handed.



SOP-10 SIGHT

SOP-10 sight is designed for beginners and intermediate archers.

Available in right and left handed.



SMC STABILIZER

SMC is WNS's revolutionary new stabilizer constructed from modern high tensile strength carbon, making it stronger and stiffer. With its highly durable 3K carbon fabric surface, the SMC stabilizing system has improved dampening qualities, shock absorbance and torque control. Unlike other stabilizers the thickness of the SMC tube wall varies, helping it to absorb high levels of shock very quickly. The rod wall measures 0.0275" (0.7mm) at the front and 0.0787" (2mm) at the base. This creates reduces movement at the end of the rod and absorbing vibration throughout the length of the stabilizer rather than pushing it back into the bow.

PRODUCT SPECIFICATION

Long	26, 28, 30, 32 or 34"
Short	10,11,12"
Extender	3, 4, 5, 6"

COLOR : Carbon Black Glossy, Carbon Black Matt



Long

Short

Extender

SVT STABILIZER

The SVT stabilizers series use a new carbon shaft in its inner structure which optimizes shocks absorbance and leads to a great level of comfort.

PRODUCT SPECIFICATION

Long	26, 28, 30 or 32"
Short	10,11,12"
Extender	3, 4, 5"

Color : Matt Black, Black, Red, Blue, White



Long

Short

Extender

SVT V-BAR

The SVT V-Bar is manufactured in multi-coated carbon for rigidity and endurance.

Available in 35, 40 or 45 degrees.



S-LONG DAMPER

S-LONG Damper is made to be used on the riser to control dampening and absorbing vibrations better.

Available in 4 colors.

COLORS



SAT STABILIZER

The SAT stabilizers series is the perfect solution when you start archery. Light weight and fully adjustable, the system also improves dampening, absorbs shock and helps control torque during shooting. It comes in a wide range of colors and dampers.

PRODUCT SPECIFICATION

Long	26, 28, 30 or 32"
Short	10, 12"
Extender	3, 4, 5"

Color: Black, Red, Blue, Silver



Extender

Long

Short

SAT V-BAR

Anodised aluminum V-Bar.
Available in 35, 40, 45 straight or 15 down.



S-SHORT DAMPER

Made for side stabilizers, this short damper allows a perfect setup of the whole stabilizing system.

COLORS



S-PFC PLUNGER

Improved cushion plunger with neat design. Three different types of springs allow a tension adjustment from light to heavy pressure.

THREAD SIZE : 5/16"-24

COLORS



S-PEL PLUNGER

Easy tuning with a 'soft' spring mounted. While tuning the bow, if the arrow is too weak, make the cushion plunger stiffer and if the arrow is too stiff, make the cushion plunger weaker.

THREAD SIZE : 5/16"-24

COLORS



S-PLP PLUNGER

Efficient, accurate and easy to set up.

THREAD SIZE : 5/16"-24

TYPE : RH/LH

COLORS





S-RE REST

Features fully adjustable vertical and horizontal arrow positioning and variable weight arrow supporter.

TYPE: RH / LH

COLORS



S-RF REST

Simple and solid construction incorporating a magnetic system leading to an ultimate accuracy. This arrow rest provides you with the best arrow flight without any friction.

TYPE: RH / LH

COLORS



MAGNETIC CLICKER

This clicker enables the use of longer arrows as you can extend the length easily while keeping your accuracy.



MECHANICAL CLICKER

Integrated plastic tip made to eliminate any friction on the arrow, matching all new generation risers.

Available in 6-32, M4 and 4-40 fixing screw.



S-AL STAND

Latest development from WINNERS, the S-AL stand is lighter thanks to the use of anodized aluminum shafts as for its structure. As stable and quick to assemble as ever, it introduces a new U-shaped sitting cradle head for a better holding of the riser. Lastly, the shaft pinching the string has been renewed in order to be used with very short brace height bows.

COLORS



S-AT STAND

It's the perfect combination of stability and solidity along with a flip-lock legs system to fold up for easy storage.



S-AX STAND

Solidly built and reliable bow support in all conditions. It is light yet strong and durable.

Suitable for both recurve and compound bows.

COLORS



BCY 8125 & 8190 STRING

Manufactured in Dynafight. Fast Flight reinforced loops.

- 64/14.64/16 WHITE/ORANGE
- 66/14.66/16 WHITE/RED
- 68/14.68/16 WHITE/GRAY
- 70/14.70/16 WHITE /BLUE



FAST FLIGHT STRING

Manufactured in Fast Flight. Fast Flight reinforced loops.

- 64/14.64/16 WHITE/ORANGE
- 66/14.66/16 WHITE/RED
- 68/14.68/16 WHITE/GRAY
- 70/14.70/16 WHITE /BLUE



DACRON B50 STRING

Superb durability in any condition. 12 strands.

Available in length 48"/12strands to 70"/12strands.



FINGER SLING

A sling is necessary for proper shooting, as the hand never holds the bow. The loop can be adjusted at your own size.

COLORS



BOW STRINGER

Assemble your bow in all safety with our new bow stringer. Both plastic molded ends enable a perfect holding and alignment, thus eliminating any risk of slipping on the limbs while stringing the bow. The length of the bow stringer can easily be adjusted to any bow sizes.



T-GAUGE

12" blade with markings in metric and inches.

Large aluminum T-top for perfect nock placement, checking brace and tiller heights.

COLORS



SF-200 FINGER TAB

The aluminum plate makes the weight lighter and familiar with the archers. Cordovan is changeable. Removable retractor and chin piece.

SIZE : Small, Medium, Large, XLarge
TYPE : RH / LH

COLORS 



SF-100 FINGER TAB

The aluminum plate makes the weight lighter and familiar with the archers. Superior leather (cow-hide) is changeable. Removable retractor and chin piece.

SIZE : Small, Medium, Large, XLarge
TYPE : RH / LH

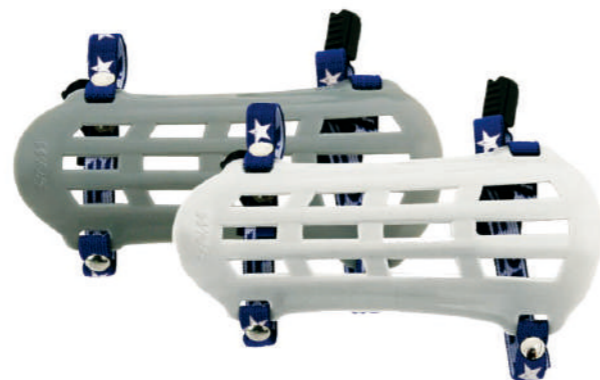
COLORS 



S ARM GUARD

Made from a soft, comfortable material, it will provide a perfect protection from string rubbing.

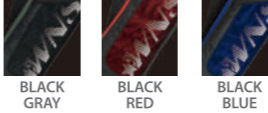
COLORS 



S-300 QUIVER

High quality three-tube quiver featuring a stylish design, as strong as light.

Belt included.
RH / LH

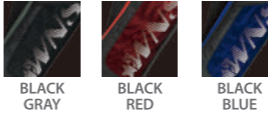
COLORS 



S-200B FIELD QUIVER

S-200B field quiver has an attractive and simple design, a light weight and its pockets provide a great and handy storage space.

Belt included.
RH / LH

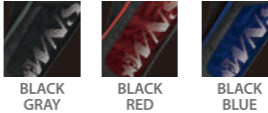
COLORS 



S-100 QUIVER

S-100 quiver has three tubes, a pocket to store accessories and a clip to attach it to the belt.

RH / LH

COLORS 



S-1 BOW BACKPACK

Latest addition to the WNS range, the S-1 BOW backpack can store a complete bow (up to 27 inches) plus all its accessories, quiver included! In addition to pockets disposed inside the front pouch, S-1 BOW backpack includes an arrow case, an inside bag for the riser, and storage compartments. It also features removable shoulder straps.

DIMENSIONS : 50" - (W)34.4cm x (D)21cm x (H)72.5cm

INCLUDED : Limbs & riser case / Arrows tube / Rain cover

COLORS



BLACK



Quality Products For all
by WIN&WIN