

WNS
OWNER'S MANUAL
GUIDE BOOK FOR YOU

Quality Products For All By WIN&WIN

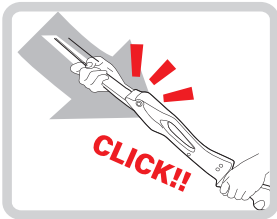


Quality Products For All
By WIN&WIN

TABLE OF CONTENTS

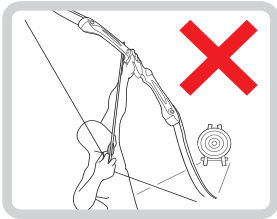
IMPORTANT INFORMATION	04
BOW TERMINOLOGY	06
WNS BOW RECURVE INFORMATION	07
STRINGING	
BRACE HEIGHT	
LIMB POCKET SYSTEM	
WEIGHT ADJUSTMENT	
TILLER ADJUSTMENT	
LIMBS/RISER ALIGNMENT	
WNS BOW RECURVE WARRANTY	14
WARRANTY POLICY	
BOW OWNER'S PERSONAL RECORD	

IMPORTANT INFORMATION



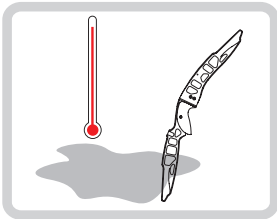
1. Completely and properly place the riser and limbs

In an attempt to improve and increase the accuracy of each bow made by WNS has a tight connection between the riser and the limb. When setting the riser and the limb, please push in limb until you hear a "Click" sound. This ticking sound will assure proper limb placement. The failure to follow this procedure may result in a decreased accuracy and/or a broken limb.



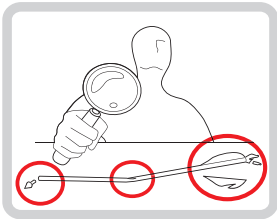
2. Always be safe

Never shoot your bow straight up. Always be sure of your target area and the area immediately behind it.



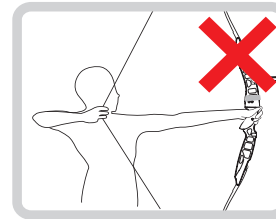
3. Never expose your bow to extreme heat or prolonged extreme moisture

Excessive heat, such as could be experienced on a sunny day inside of a closed vehicle, could cause limb failure. Prolonged storage in a hot, dry attic or damp basement could also be damaging. This voids your warranty.



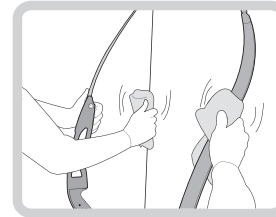
4. Inspect all arrows

Before shooting, inspect your arrows for defects. Replace cracked nocks. Discard fractured or dented arrows. Replace loose fletch.



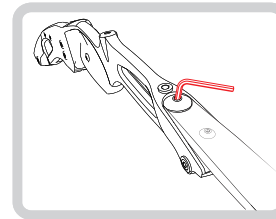
5. Never dry fire your bow

Dry fire means to draw and release your bow without an arrow. Shooting without an arrow to absorb most of the bow stored energy could cause severe damage to the bow and possible injury to the shooter or others close by.



6. Maintenance of bowstring and bow limbs

Apply a light coat of bowstring wax to your bow's string on a regular basis. With target bows, use a quality car polish to protect the finish and luster of your bow's limbs.



7. Check the place of weight/tiller adjustment bolt

Check the place of weight/tiller adjustment bolt. When you set the string on the bow, keep the weight/tiller adjustment bolt is under the bushing, if the bolt is upper than bushing, it can be shot out anywhere. It can be dangerous.

8. Carefully inspect your bow before each shooting session

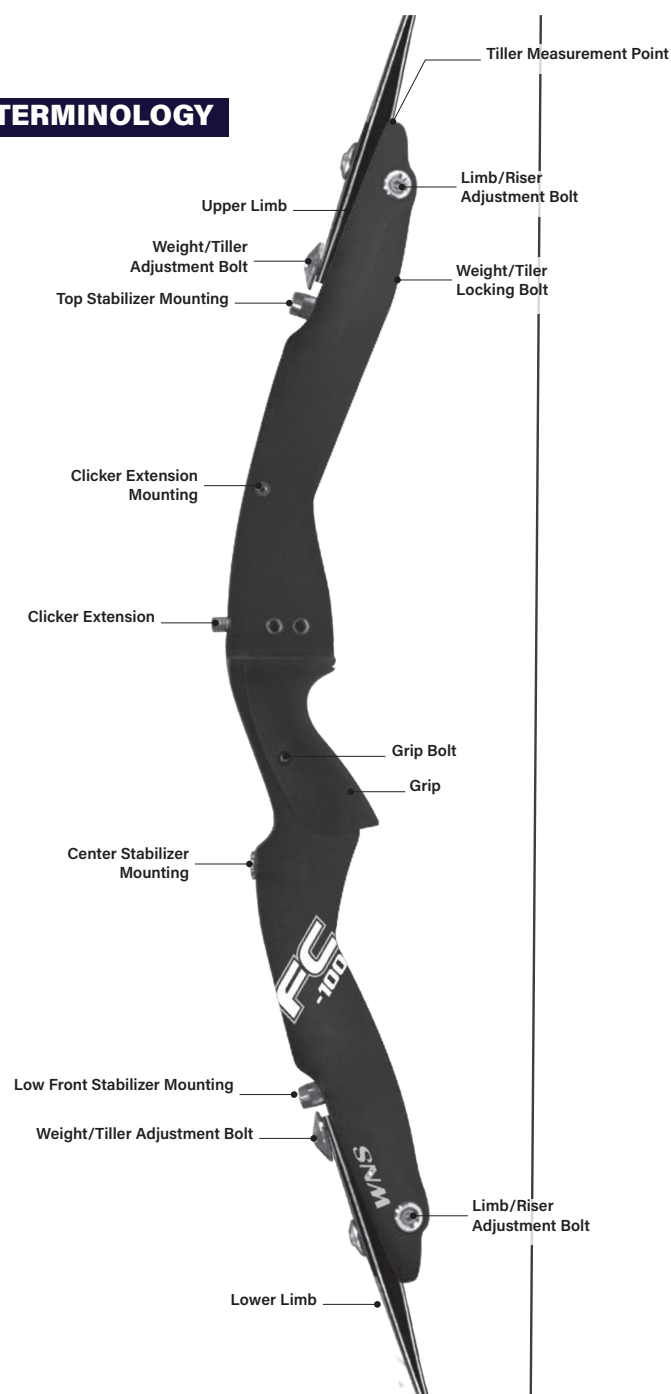
Carefully note the condition of bowstring should be replaced. Damaged or suspect limb be reported to the dealer where you purchased your bow.



WARNING

**All bows are deadly weapons.
Always abide by all safety advisements.
Children should be supervised by an adult.**

BOW TERMINOLOGY



WNS RECURVE BOW INFORMATION

WNS high quality recurve limbs are available in three lengths: long, medium and short. Actual bow length is determined by the combination of limb and riser type(length). The following chart shows the relationship between 25" risers , 23" risers and 21" risers.

WNS RECURVE BOWS

Length of riser	Long Limbs	Medium Limbs	Short Limbs
25 inches	70"	68"	66"
23 inches	68"	66"	64"
21 inches	66"	64"	62"

WNS high quality limbs are available in two pounds increment. This marked weight is measured at 26 1/4" (AMO standard) to the throat of the bow grip (pivot point) when the limbs are used with 25" risers basically.

Shifting the same limbs to 23" risers will result in a weight increase of approximately two pounds. In addition, actual limb weight depends on draw length, tiller height and limb bolt setting as well as riser length.

WNS BOW

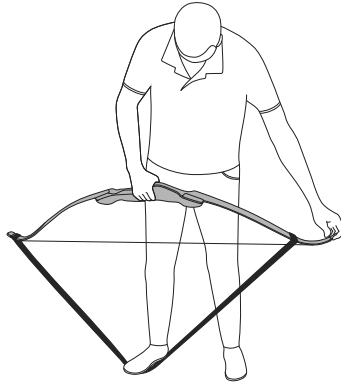
WNS Bows have a remarkable limb mounting and limb weight/tiller adjustment system. Internally, the butt end of each limb is engaged in a circular channel. That channel is adjustable for weight control and limb balance(tiller height). The special dovetail limb guide bushing aligns and captures each limb to prevent it from disengaging from the riser.

A spring loaded detent button also holds the limbs in place while stringing. To install each limb in its respective pocket, carefully enter the limb guide bushing in the dovetail groove and gently push the limb forward the limb butt seats into the channel at the back of the pocket. Firmly push the limb to engage the detent button.

LIMB POCKET SYSTEM

STRINGING

Special attention should be given to the proper procedure for stringing any recurve bow. The safest and only procedure recommended by WNS is to use a bow stringer. Preadjust the length of the bow stringer according to the manufacturer's instructions. Begin by placing the larger loop of the bowstring over the upper limb and slipping the bowstring's smaller loop in the string groove of the lower limb. Next, place the large cup of the bow stringer over the lower limb tip and the small cup over the upper limb top. With the upper limb of the bow held the left, step(some prefer to use both feet) on the middle of the bow stringer with instep(back of bow up) and pull with the right hand on the bow grip.



Flexing the bow sufficiently to easily slip the upper loop of the bowstring into the upper limb string groove. To unstring, reverse this procedure.

BRACE HEIGHT

Brace height is the perpendicular distance from the bowstring to the pivot point of the handle. This height is an important part of tuning. The following chart gives you the recommended brace height range for your WNS bow.

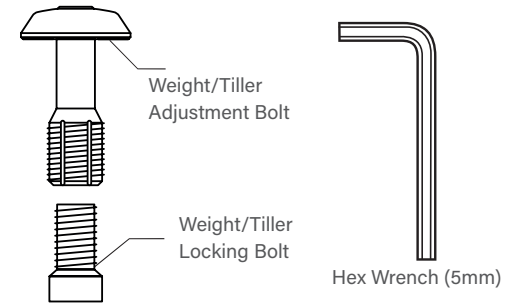
Length of riser	Long Limbs	Medium Limbs	Short Limbs
25 inches	22-24cm	21-23.5cm	20.5-23cm
23 inches	21-23.5cm	20.5-23cm	20-22.5cm
21 inches	20.5-23cm	20-22.5cm	19-21cm

Contrary to popular opinion, changing the brace height does not change bow weight. But changing brace height does drastically affect bow performance.

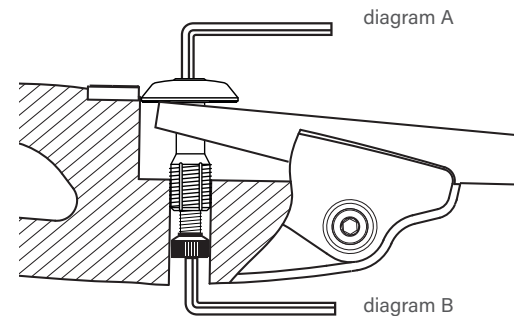
For instance, each 1/2 "change in brace height will affect velocity approximately 2 1/2 feet per second.

A higher brace height will decrease velocity. A lower brace height will increase velocity. The reason for this is that stored energy and the length of the power stroke are both effected by brace height. Optimum brace height is on that gives smooth bow action, good arrow flight, tight grouping and a quiet shot. Generally, slight variations of string height are not critical, but at the extremes, you may get erratic arrow flight and/or excessive string noise.

WEIGHT&TILLER ADJUSTMENT



To adjust bow weight and tiller, first loosen the weight/tiller locking bolt completely with the allen wrench(diagram B).



WEIGHT ADJUSTMENT

Use the allen wrench to turn the weight/tiller adjustment bolt clockwise to increase in bow weight and vice versa for decrease in bow weight(9p. diagram A).

When the correct poundage is set, tighten the locking bolt and hold adjustment bolt with the allen wrench(9p. diagram B).

The WNS BOWS are weight adjustable in a range of approximately 5% the weight indicated on the limbs by turning the bow's top and bottom limb weight adjustment bolts equally.

WNS recommends not to loosen or lock your limb weight/tiller adjustment bolts more than 2 turns from the factory setting position as it could cause the bow to violently disassemble or the limbs to severely damage. Bow tiller should be checked after all bow weight changes.

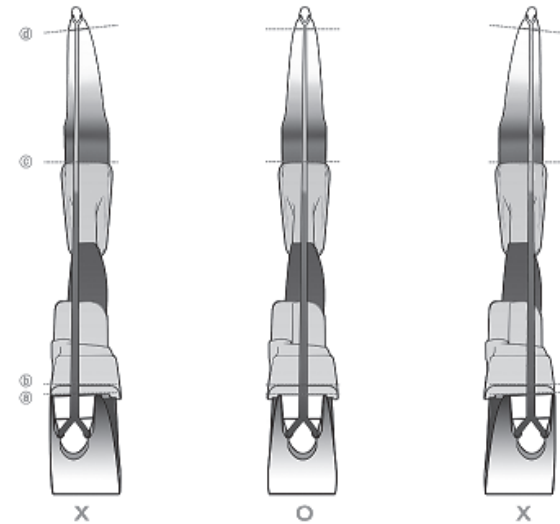
TILLER ADJUSTMENT

Strengthening or weakening one limb relative to the other is called tillering and it needs when you make the power of the two limbs balanced. Turning the Weight/ Tiller adjustment bolt clockwise on one limb will strengthen that limb and decrease the distance between the limb and the string. Turning the Weight/Tiller adjustment bolt counter-clockwise will produce opposite results.

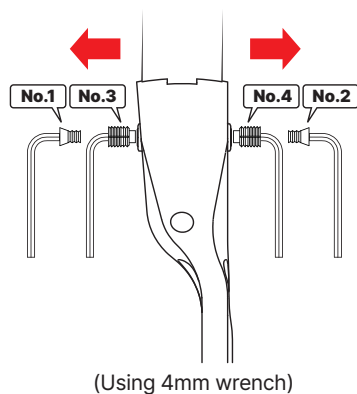
To adjust tiller on the riser without affecting bow weight, adjust each Weight/Tiller adjustment bolt an equal amount but in opposite directions. When a tiller adjustment is made, shoot several ends to stabilize the change and recheck the tiller. It is best to make tiller or weight adjustment with bow braced. WNS recommends not to loosen or lock your limb weight/tiller adjustment bolts more than 2 turns from the factory setting position as it could cause the bow to violently disassemble or the limbs to severely damage.

LIMBS/RISER ALIGNMENT

To ensure the proper and accurate alignment of the limbs and the riser, you must first inspect the setting of the limb and the riser to make sure that the bowstring penetrates the center point of the upper and the lower limb. (during this inspection, you should also make sure that the bowstring goes through the center of the grip)



You can simply adjust the center-shot without unstringing the bow.



Once the alignment process was over, we recommend to bounce the string so it can find its place. And then, please recheck the alignment is correct. If not, it is necessary to proceed with a series of procedures to make sure alignment.

If you want to move the limbs to the left, (same as lower limb)

1. Unscrew both locking bolts (no. 1 and no. 2) completely
2. Loosen the inside bolt (no. 3) a little
3. Lock down the inside bolt (no. 4) until the limb is set on proper position
4. When the center shot is correct, tighten the inside bolt (no. 3)
5. At last, fasten both locking bolts (no. 1 and no. 2) tightly

If you want to move the limbs to the right, (same as lower limb)

1. Unscrew both locking bolts (no. 1 and no. 2) completely
2. Loosen the inside bolt (no. 4) a little
3. Lock down the inside bolt (no. 3) until the limb is set on proper position
4. When the center shot is correct, tighten the inside bolt (no. 4)
5. At last, fasten both locking bolts (no. 1 and no. 2) tightly

* WNS DELTA-NX and EXPLORE DX risers don't have no.1 and no.2 locking bolts and don't need step 5.

⚠ Don't forget to double-check the bolts fastened tightly

WNS RECURVE BOW WARRANTY

WNS bow is backed by a year limited warranty. For the first one year from date of purchase, WNS bows are warranted against factory defects in materials and workmanship. A copy of your retail sales receipt including establishing date of purchase is required for all warrant service.

THIS WARRANTY DOES NOT COVER:

1. WNS bows purchased through an unauthorized retailer or over the internet
2. Damage to bows resulting from normal wear and tear and finish
(Including paint, anodize and film-dipped finishes)
3. Damage to WNS accessories
4. Bows that show signs of misuse, alteration, mishandling

WARRANTY POLICY

A copy of your sales receipt and the serial number are required for warranty purposes, To obtain warranty service, you must return your bow to a WNS authorized retailer shop which you purchased at the dealer can help you determine if WNS factory service is required or if the repair can be completed by the dealer shop, If the bow must be returned to the factory, the bow owner is responsible for the return postage, WNS in return, will pay the postage for reshipping the repaired product Before any bow is returned to WNS, you must obtain 'Return Confirmation Number' through your dealer shop.

Bows returned to the factory without any confirmation may be denied warranty service, Repairs may be performed with original parts when available, WNS reserves the right to make part substitutions on warranty coverage for any reason, If original parts are not available, suitable replacement parts/components may be used, If WNS determines that the bow is not repairable, WNS will replace the bow through the authorized retailer shop, If the bow is not available and not in stock anymore, but qualifies for warranty coverage, WNS will replace the bow with the similar featured bow in WNS's sole determination.

Any bow returned to the WNS factory for warranty service:

1. Must be sent postage paid
2. Must include a copy of the dated sales receipt
3. Must include a short note explaining the nature of the problem



BOW OWNER'S PERSONAL RECORD

SERIAL #

BOW MODEL

DEALER NAME OR WHERE PURCHASED

PURCHASED DATE

LENGTH

WEIGHT

Quality Products For All By WIN&WIN

The logo for WNS, featuring the letters 'WNS' in a bold, stylized, white font with a double outline, set against a dark blue background.

OWNER'S MANUAL

GUIDE BOOK FOR YOU

WIN&WIN CO., LTD.

19, Donghanggongdan-gil, Yangseong-myeon, Anseong-si, Gyeonggi-do, Korea
Tel : +82-31-671-0894 Fax : +82-31-671-0895

WNS-ARCHERY.COM

A decorative graphic element in the bottom right corner consisting of a diagonal line separating a red triangle above from a white triangle below.